

# MILLFORM AUSTRALIA PRODUCT RANGE



**REGIONAL SALES TEAMS  
QLD, NSW, ACT, VIC, TAS, WA, NT**

**FOR SALES & INFORMATION  
ENQUIRIES, CONTACT OUR  
KNOWLEDGEABLE TEAM**

T: 1300 645 376  
E: [enquiries@millform.com.au](mailto:enquiries@millform.com.au)  
W: [millform.com.au](http://millform.com.au)

Where strength matters

# About Millform

With the strength of steel, Millform is dedicated to building a better Australia. We provide quality products, ensure efficient delivery standards, and offer proven solutions for commercial, construction, industrial, and government clients.

Millform provides building products and solutions for diverse industry sectors. We specialise in the engineering and manufacture of quality cold rolled steel products. As an Australian owned and operated company with more than 50 years of experience, we lead from the front with all aspects of product quality, customer support, and efficient delivery. At Millform, we deliver outstanding results through a combination of tailored service delivery and professional attention to detail.

We look forward to meeting your requirements, exceeding your expectations, and helping to make your business more successful.



## QUALITY

The quality of our products is the backbone of our business. We invest in the best people and equipment, utilise advanced techniques, and have access to high-quality materials.



## AUSTRALIAN BUSINESS

We understand market conditions and respect customer demands. As a large Australian business with local representation, we have the drive and capability to tailor our service delivery.



## CUSTOMER SUPPORT

Our customer support is second to none. We believe in clear communication, honest advice, and detailed customer service delivered by a friendly team of experts.



## DELIVERY CONTROL

With a combination of our own fleet and trusted contractors, we control the delivery process. As an established Australian business, you can rely on efficient delivery and reliable protection.



Where strength matters





Where strength matters



With the strength of steel, Millform is dedicated to building a better Australia. We provide quality products, ensure efficient delivery standards, and offer proven solutions for commercial, construction, industrial, and government clients.

You can find other Millform items on our website.

[www.millform.com.au](http://www.millform.com.au)

## CONTENTS

## PAGE

|   |    |
|---|----|
| <i>TopForm™</i> Top-Hat Purlins                     | 4  |
| <i>FormBatten™</i> Battens                          | 5  |
| <i>CladForm™</i> Junction Studs                     | 6  |
| Facade System                                       | 11 |
| Trim Angles   | 12 |
| <i>Archetype Purlin™</i> C-Section Purlins          | 14 |
| <i>Archetype Purlin™</i> Z-Section Purlins          | 16 |
| <i>Extreme Purlin™</i> C-Section Purlins            | 19 |
| <i>Extreme Purlin™</i> Z-Section Purlins            | 20 |
| Channels  | 21 |
| <i>HookFast®</i> Purlin Bridging                    | 23 |
| <i>MillFrame™</i> Steel Framing                     | 24 |
| <i>CorroForm™</i> Corrugated Sheet Metal            | 28 |
| <i>RibForm™</i> Corrugated Sheet Metal              | 29 |
| Slab & Spiral Duct (Post Tension Concrete Industry) | 30 |

FOR NON-STANDARD PROFILES – CONTACT OUR SALES TEAM

T: 1300 645 376 E: [enquiries@millform.com.au](mailto:enquiries@millform.com.au)

# Top-Hat Purlin



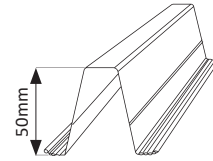
## 50mm Top-Hat

50 mm TOP HAT - 0.75 BMT: **50TH0.75** (1.09kg/m)

50 mm TOP HAT - 0.95 BMT: **50TH0.95** (1.37kg/m)

50 mm TOP HAT - 1.15 BMT: **50TH1.15** (1.63kg/m)

**Standard Pack:** 100 Lengths



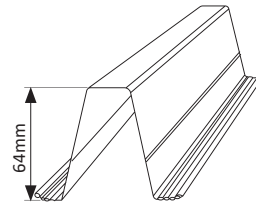
## 64mm Top-Hat

64 mm TOP HAT - 0.75 BMT: **64TH0.75** (1.26kg/m)

64 mm TOP HAT - 0.95 BMT: **64TH0.95** (1.58kg/m)

64 mm TOP HAT - 1.15 BMT: **64TH1.15** (1.91kg/m)

**Standard Pack:** 100 Lengths



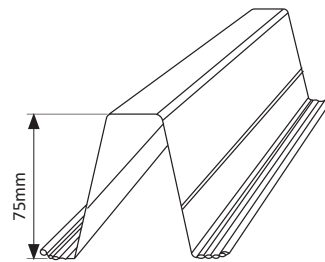
## 75mm Top-Hat

75 mm TOP HAT - 0.75 BMT: **75TH0.75** (1.41kg/m)

75 mm TOP HAT - 0.95 BMT: **75TH0.95** (1.77kg/m)

75 mm TOP HAT - 1.15 BMT: **75TH1.15** (2.14kg/m)

**Standard Pack:** 100 Lengths



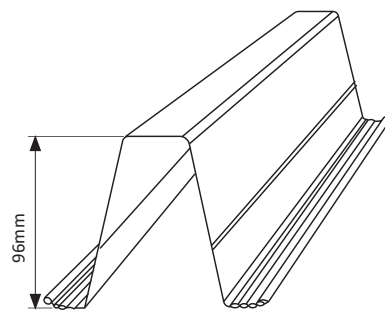
## 96mm Top-Hat

96 mm TOP HAT - 0.75 BMT: **96TH0.75** (1.74kg/m)

96 mm TOP HAT - 0.95 BMT: **96TH0.95** (2.19kg/m)

96 mm TOP HAT - 1.15 BMT: **96TH1.15** (2.65kg/m)

**Standard Pack:** 100 Lengths



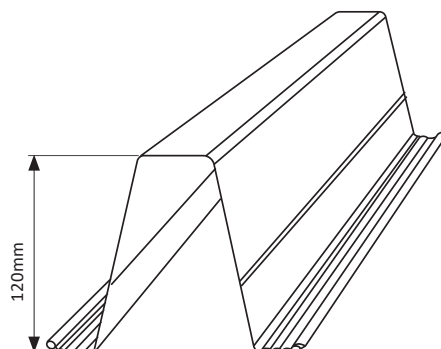
## 120mm Top-Hat

120 mm TOP HAT - 0.75 BMT: **120TH0.75** (2.17kg/m)

120 mm TOP HAT - 0.95 BMT: **120TH0.95** (2.73kg/m)

120 mm TOP HAT - 1.15 BMT: **120TH1.15** (3.30kg/m)

**Standard Pack:** 100 Lengths



Where strength matters





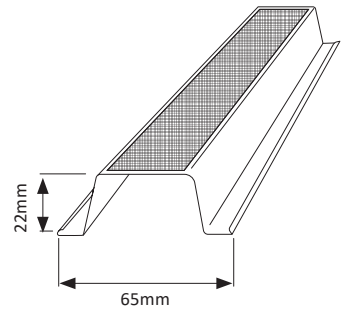
## Battens

### 22mm Ceiling Batten

22 mm CEILING BATTEN - 0.42 BMT - ALUZINC: **22CB0.42Z** (0.36kg/m)

22 mm CEILING BATTEN - 0.75 BMT - ALUZINC: **22CB0.75Z** (0.63kg/m)

**Standard Pack:** 200 Lengths x 6.100M

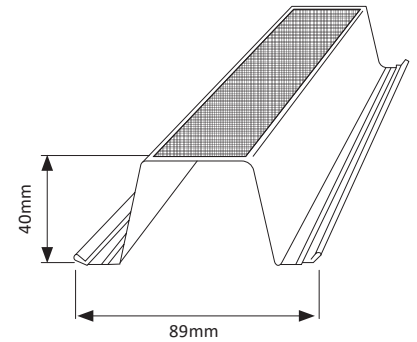


### 40mm Roof Batten\*

40 mm ROOF BATTEN - 0.48 BMT - ALUZINC: **40RB0.48Z** (0.66kg/m)

40 mm ROOF BATTEN - 0.55 BMT - ALUZINC: **40RB0.55Z** (0.75kg/m)

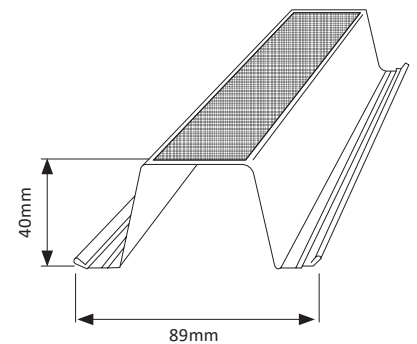
**Standard Pack:** 150 Lengths x 6.100M, 7.500M



### 40mm Cyclonic Roof Batten\*

40 mm ROOF BATTEN - 0.75 BMT - ALUZINC: **40RB0.75Z** (1.02kg/m)

**Standard Pack:** 100 Lengths x 6.100M, 7.500M



**NOTE\*:** Standard Roof Battens are ANGLE CUT, SQUARE CUT ends would need to be requested.

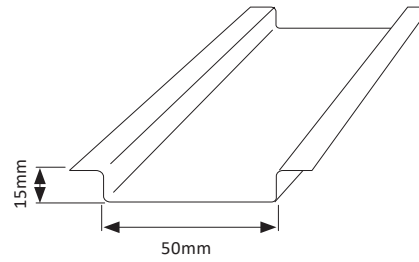
# Junction Stud 0.75



## 50 x 15 Junction Stud

JUNCTION STUD - 50 X 15 X 0.75 BMT: **JS50150.75** (0.59kg/m)

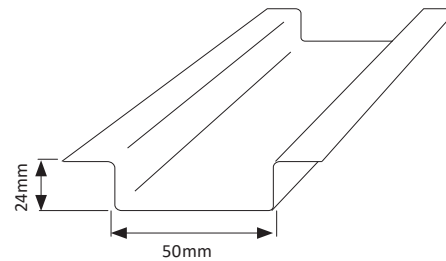
**Standard Pack:** 100 Lengths x 6M



## 50 x 24 Junction Stud

JUNCTION STUD - 50 X 24 X 0.75 BMT: **JS50240.75** (0.80kg/m)

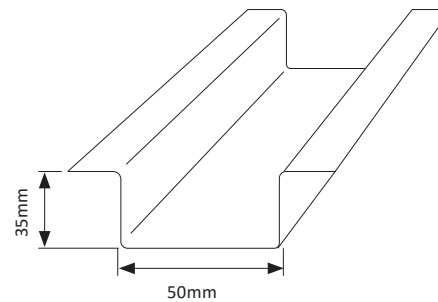
**Standard Pack:** 100 Lengths x 6M



## 50 x 35 Junction Stud

JUNCTION STUD - 50 X 35 X 0.75 BMT: **JS50350.75** (0.91kg/m)

**Standard Pack:** 50 Lengths x 6M



Where strength matters



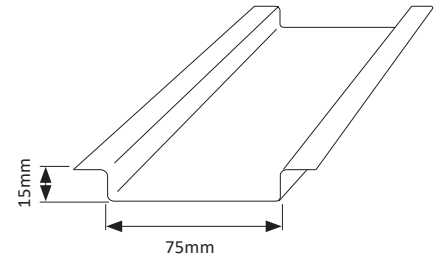


## Junction Stud 0.75

### 75 x 15 Junction Stud

JUNCTION STUD - 75 X 15 X 0.75 BMT: **JS75150.75** (0.80kg/m)

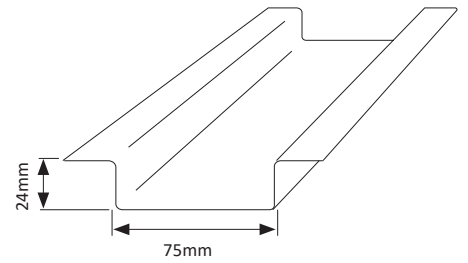
**Standard Pack:** 100 Lengths x 6M



### 75 x 24 Junction Stud

JUNCTION STUD - 75 X 24 X 0.75 BMT: **JS75240.75** (0.91kg/m)

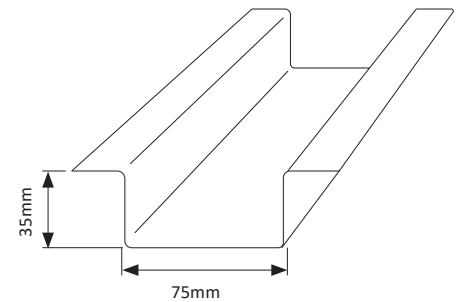
**Standard Pack:** 100 Lengths x 6M



### 75 x 35 Junction Stud

JUNCTION STUD - 75 X 35 X 0.75 BMT: **JS75350.75** (1.09kg/m)

**Standard Pack:** 50 Lengths x 6M



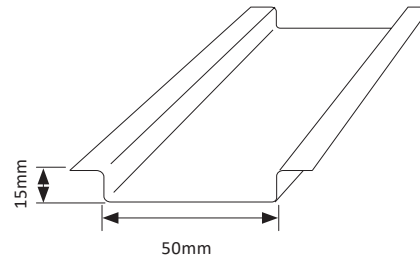
# Junction Stud 1.10



## 50 x 15 Junction Stud

JUNCTION STUD - 50 X 15 X 1.10 BMT: **JS5015** (0.89kg/m)

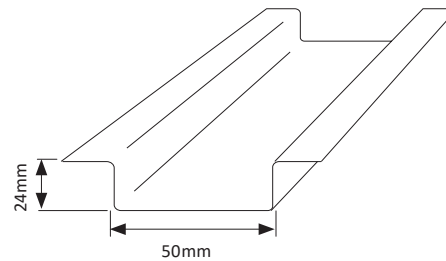
**Standard Pack:** 100 Lengths x 6M



## 50 x 24 Junction Stud

JUNCTION STUD - 50 X 24 X 1.10 BMT: **JS5024** (1.13kg/m)

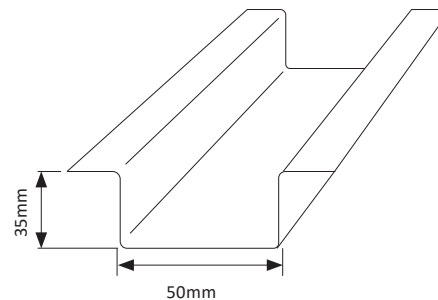
**Standard Pack:** 100 Lengths x 6M



## 50 x 35 Junction Stud

JUNCTION STUD - 50 X 35 X 1.10 BMT: **JS5035** (1.33kg/m)

**Standard Pack:** 50 Lengths x 6M



Where strength matters





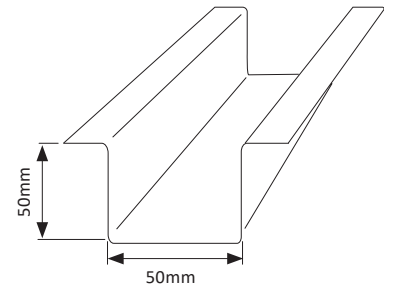


## Junction Stud 1.10

### 50 x 50 Junction Stud

JUNCTION STUD - 50 X 50 X 1.10 BMT: **JS5050** (1.56kg/m)

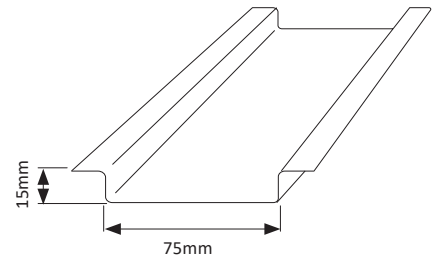
**Standard Pack:** 50 Lengths x 6M



### 75 x 15 Junction Stud

JUNCTION STUD - 75 X 15 X 1.10 BMT: **JS7515** (1.13kg/m)

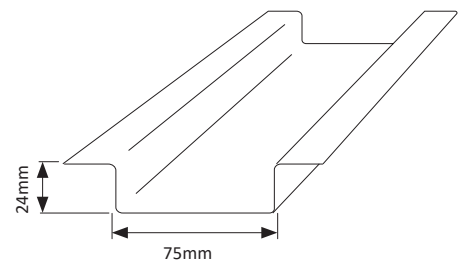
**Standard Pack:** 100 Lengths x 6M



### 75 x 24 Junction Stud

JUNCTION STUD - 75 X 24 X 1.10 BMT: **JS7524** (1.33kg/m)

**Standard Pack:** 100 Lengths x 6M



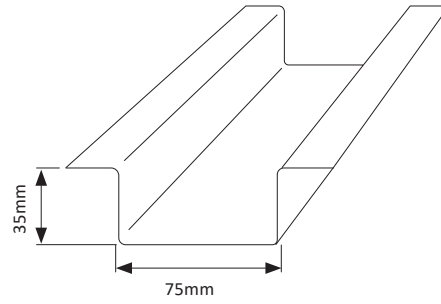
# Junction Stud 1.10



## 75 x 35 Junction Stud

JUNCTION STUD - 75 X 35 X 1.10 BMT: **JS7535** (1.56kg/m)

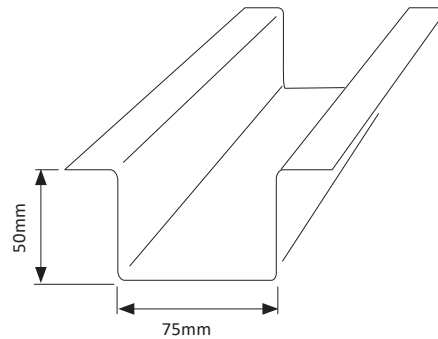
**Standard Pack:** 50 Lengths x 6M



## 75 x 50 Junction Stud

JUNCTION STUD - 75 X 50 X 1.10 BMT: **JS7550** (1.91kg/m)

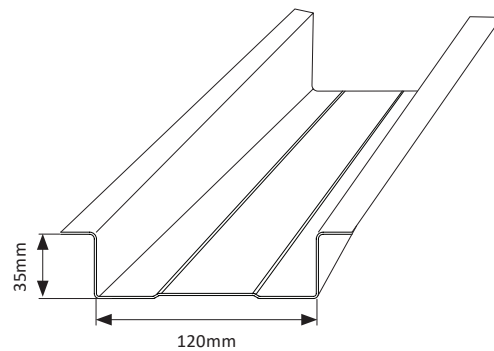
**Standard Pack:** 50 Lengths x 6M



## 120 x 35 Junction Stud

JUNCTION STUD - 120 X 35 X 1.10 BMT: **JS12035** (1.97kg/m)

**Standard Pack:** 50 Lengths x 6M



Where strength matters





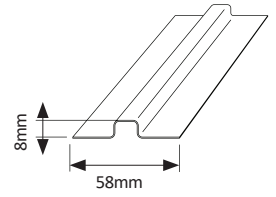
## Facade System

### 8.0mm Back Flashing

8.0mm X 0.48 BMT BACK FLASHING (BLACK): **8.0MMB-FLA** (0.27kg/m)

**Standard Pack:** 500 Lengths (Full packs only)

**Standard Lengths:** 1.190, 2.390, 2.990

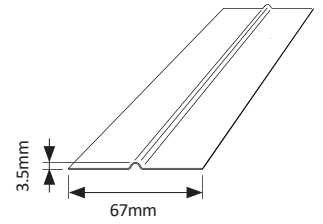


### 3.5mm Back Flashing

3.5mm X 0.48 BMT BACK FLASHING (BLACK): **3.5MMB-FLA** (0.28kg/m)

**Standard Pack:** 500 Lengths (Full packs only)

**Standard Lengths:** 1.190, 2.390, 2.990



# Trim Angles

## 0.75 BMT Angle

TRIM ANGLE - 30 X 30 X 0.75 BMT: **TA30300.75** (0.35kg/m)

TRIM ANGLE - 35 X 35 X 0.75 BMT: **TA35350.75** (0.42kg/m)

TRIM ANGLE - 40 X 40 X 0.75 BMT: **TA40400.75** (0.48kg/m)

TRIM ANGLE - 50 X 50 X 0.75 BMT: **TA50500.75** (0.59kg/m)

TRIM ANGLE - 65 X 65 X 0.75 BMT: **TA65650.75** (0.80kg/m)

TRIM ANGLE - 75 X 75 X 0.75 BMT: **TA75750.75** (0.91kg/m)

TRIM ANGLE - 100 X 100 X 0.75 BMT: **TA1001000.75** (1.71kg/m)

**Standard Pack:** 200 Lengths

## 1.15 BMT Angle

TRIM ANGLE - 30 X 30 X 1.15 BMT: **TA30301.15** (0.53kg/m)

TRIM ANGLE - 40 X 40 X 1.15 BMT: **TA40401.15** (0.72kg/m)

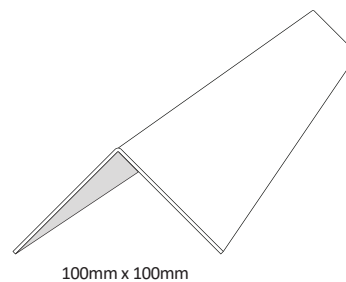
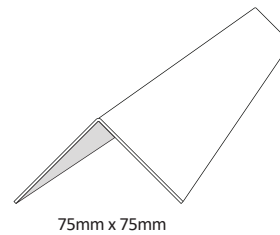
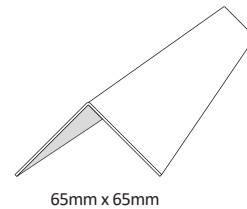
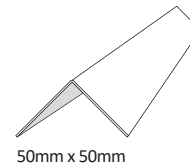
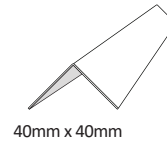
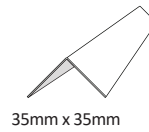
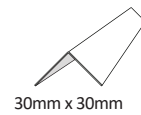
TRIM ANGLE - 50 X 50 X 1.15 BMT: **TA50501.15** (0.90kg/m)

TRIM ANGLE - 65 X 65 X 1.15 BMT: **TA65651.15** (1.21kg/m)

TRIM ANGLE - 75 X 75 X 1.15 BMT: **TA75751.15** (1.38kg/m)

TRIM ANGLE - 100 X 100 X 1.15 BMT: **TA1001001.15** (1.82kg/m)

**Standard Pack:** 200 Lengths





## Trim Angles

### 2.40 bmt Angle

TRIM ANGLE - 30 X 30 X 2.40 BMT: **TA30302.40** (1.10kg/m)

TRIM ANGLE - 40 X 40 X 2.40 BMT: **TA40402.40** (1.48kg/m)

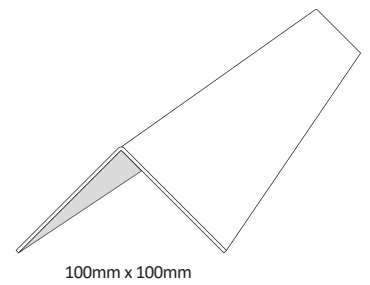
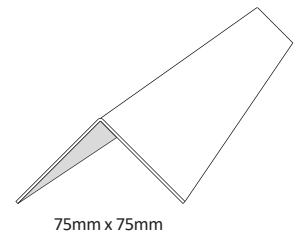
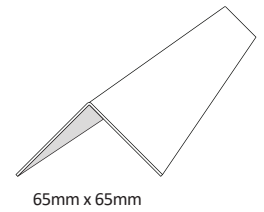
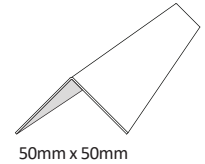
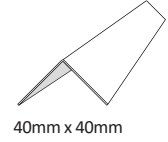
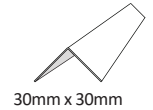
TRIM ANGLE - 50 X 50 X 2.40 BMT: **TA50502.40** (1.86kg/m)

TRIM ANGLE - 65 X 65 X 2.40 BMT: **TA65652.40** (2.43kg/m)

TRIM ANGLE - 75 X 75 X 2.40 BMT: **TA75752.40** (2.81kg/m)

TRIM ANGLE - 100 X 100 X 2.40 BMT: **TA1001002.40** (3.76kg/m)

**Standard Pack:** 200 Lengths



## C – Section Archetype Purlin

### C75 Purlin

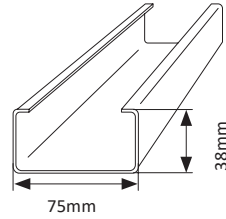
PURLIN - C75 X 0.75 BMT: **C750.75** (1.02kg/m)

PURLIN - C75 X 0.95 BMT: **C750.95** (1.28kg/m)

PURLIN - C75 X 1.20 BMT: **C7512** (1.61kg/m)

PURLIN - C75 X 1.50 BMT: **C7515** (2.00kg/m)

**Standard Pack:** 50 Lengths



### C100 Purlin

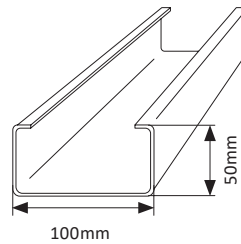
PURLIN - C100 X 1.00 BMT: **C10010** (1.64kg/m)

PURLIN - C100 X 1.20 BMT: **C10012** (2.06kg/m)

PURLIN - C100 X 1.50 BMT: **C10015** (2.57kg/m)

PURLIN - C100 X 1.90 BMT: **C10019** (3.24kg/m)

**Standard Pack:** 50 Lengths



### C150 Purlin

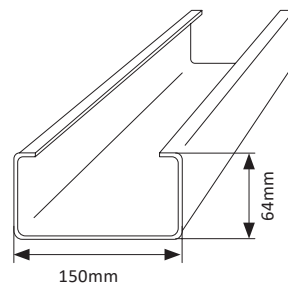
PURLIN - C150 X 1.20 BMT: **C15012** (2.83kg/m)

PURLIN - C150 X 1.50 BMT: **C15015** (3.52kg/m)

PURLIN - C150 X 1.90 BMT: **C15019** (4.45kg/m)

PURLIN - C150 X 2.40 BMT: **C15024** (5.60kg/m)

**Standard Pack:** 50 Lengths



Where strength matters





## C – Section Archetype Purlin

### C200 Purlin

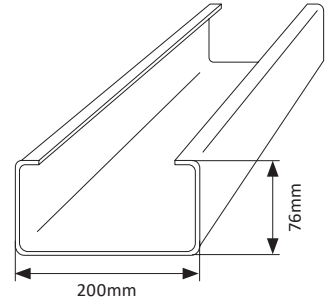
PURLIN - C200 X 1.20 BMT: **C20012** (3.59kg/m)

PURLIN - C200 X 1.50 BMT: **C20015** (4.47kg/m)

PURLIN - C200 X 1.90 BMT: **C20019** (5.65kg/m)

PURLIN - C200 X 2.40 BMT: **C20024** (7.12kg/m)

**Standard Pack:** 50 Lengths



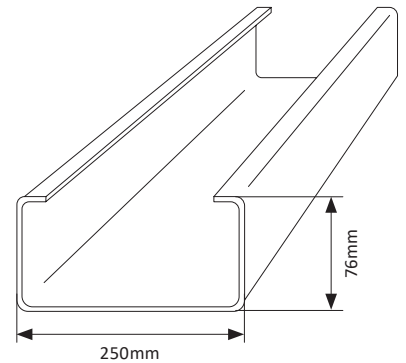
### C250 Purlin

PURLIN - C250 X 1.50 BMT: **C25015** (5.07kg/m)

PURLIN - C250 X 1.90 BMT: **C25019** (6.41kg/m)

PURLIN - C250 X 2.40 BMT: **C25024** (8.07kg/m)

**Standard Pack:** 40 Lengths



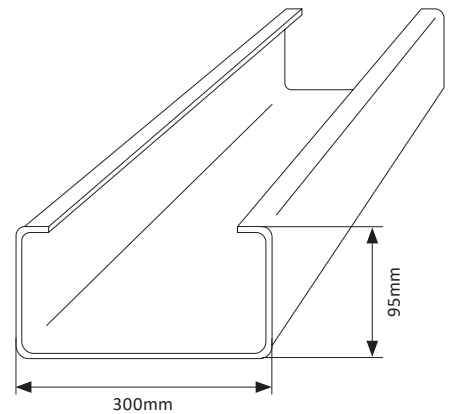
### C300 Purlin

PURLIN - C300 X 1.90 BMT: **C30019** (7.91kg/m)

PURLIN - C300 X 2.40 BMT: **C30024** (9.97kg/m)

PURLIN - C300 X 3.00 BMT: **C30030** (12.51kg/m)

**Standard Pack:** 24 Lengths



## Z – Section Archetype Purlin

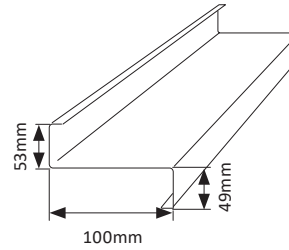
### Z100 Purlin

Z PURLIN - 100 X 1.20 BMT: **Z10012** (2.06kg/m)

Z PURLIN - 100 X 1.50 BMT: **Z10015** (2.57kg/m)

Z PURLIN - 100 X 1.90 BMT: **Z10019** (3.24kg/m)

**Standard Pack:** 40 Lengths



### Z150 Purlin

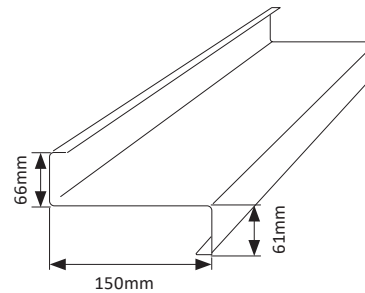
Z PURLIN - 150 X 1.20 BMT: **Z15012** (2.83kg/m)

Z PURLIN - 150 X 1.50 BMT: **Z15015** (3.52kg/m)

Z PURLIN - 150 X 1.90 BMT: **Z15019** (4.45kg/m)

Z PURLIN - 150 X 2.40 BMT: **Z15024** (5.60kg/m)

**Standard Pack:** 20 Lengths



### Z200 Purlin

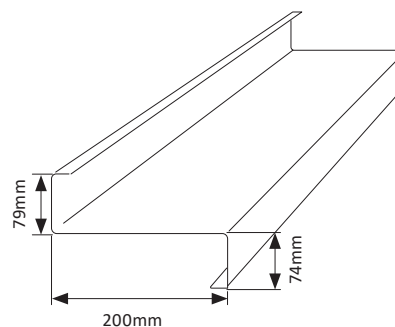
Z PURLIN - 200 X 1.20 BMT: **Z20012** (3.59kg/m)

Z PURLIN - 200 X 1.50 BMT: **Z20015** (4.47kg/m)

Z PURLIN - 200 X 1.90 BMT: **Z20019** (5.65kg/m)

Z PURLIN - 200 X 2.40 BMT: **Z20024** (7.12kg/m)

**Standard Pack:** 20 Lengths



Where strength matters







## Z – Section Archetype Purlin

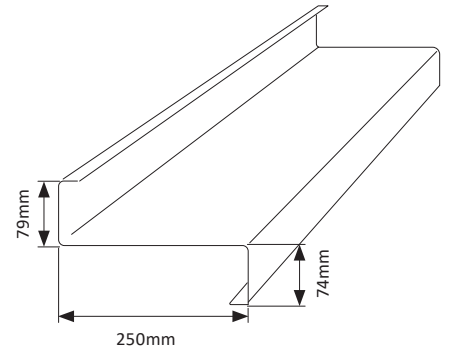
### Z250 Purlin

Z PURLIN - 250 X 1.50 BMT: **Z25015** (5.07kg/m)

Z PURLIN - 250 X 1.90 BMT: **Z25019** (6.41kg/m)

Z PURLIN - 250 X 2.40 BMT: **Z25024** (8.07kg/m)

**Standard Pack:** 20 Lengths



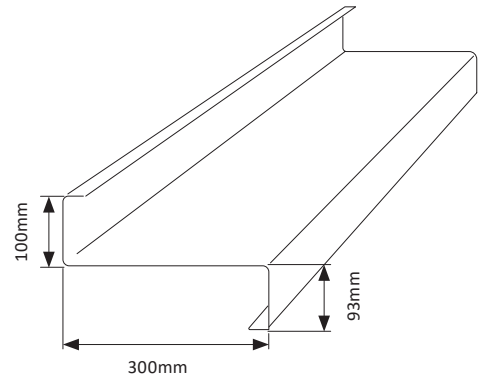
### Z300 Purlin

Z PURLIN - 300 X 1.90 BMT: **Z30019** (7.91kg/m)

Z PURLIN - 300 X 2.40 BMT: **Z30024** (9.97kg/m)

Z PURLIN - 300 X 3.00 BMT: **Z30030** (12.51kg/m)

**Standard Pack:** 20 Lengths



# Brackets

## Angle Connector Bracket

ANGLE CONNECTOR - C100: **MF-AC100** (0.19kg/ea.)

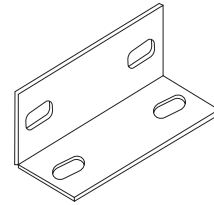
ANGLE CONNECTOR - C150: **MF-AC150** (0.30kg/ea.)

ANGLE CONNECTOR - C200: **MF-AC200** (0.39kg/ea.)

ANGLE CONNECTOR - C250: **MF-AC250** (0.56kg/ea.)

ANGLE CONNECTOR - C300: **MF-AC300** (0.69kg/ea.)

**Standard Pack:** 50 Brackets



Angle Connector Bracket

## General Purpose Bracket

GENERAL PURPOSE BRACKET C100: **GPB100** (0.23kg/ea.)

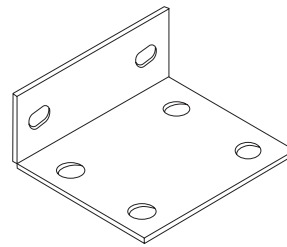
GENERAL PURPOSE BRACKET C150: **GPB150** (0.41kg/ea.)

GENERAL PURPOSE BRACKET C200: **GPB200** (0.61kg/ea.)

GENERAL PURPOSE BRACKET C250: **GPB250** (0.80kg/ea.)

GENERAL PURPOSE BRACKET C300: **GPB300** (1.00kg/ea.)

**Standard Pack:** 50 Brackets



General Purpose Bracket

Where strength matters





## C – Section Extreme Purlin

### C150 Purlin

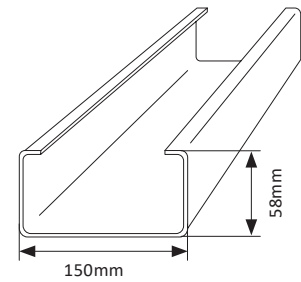
PURLIN - EX\_C150 X 58 X 1.20 BMT: **EX\_C150\_58\_1.20G** (2.83kg/m)

PURLIN - EX\_C150 X 58 X 1.50 BMT: **EX\_C150\_58\_1.50G** (3.52kg/m)

PURLIN - EX\_C150 X 58 X 1.90 BMT: **EX\_C150\_58\_1.90G** (4.45kg/m)

PURLIN - EX\_C150 X 58 X 2.40 BMT: **EX\_C150\_58\_2.40G** (5.60kg/m)

**Standard Pack:** 50 Lengths



### C200 Purlin

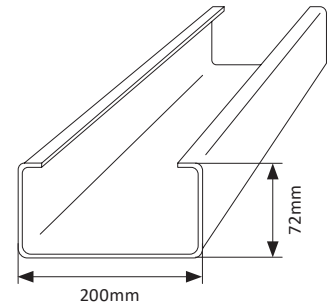
PURLIN - EX\_C200 X 72 X 1.20 BMT: **EX\_C200\_72\_1.20G** (3.59kg/m)

PURLIN - EX\_C200 X 72 X 1.50 BMT: **EX\_C200\_72\_1.50G** (4.47kg/m)

PURLIN - EX\_C200 X 72 X 1.90 BMT: **EX\_C200\_72\_1.90G** (5.65kg/m)

PURLIN - EX\_C200 X 72 X 2.40 BMT: **EX\_C200\_72\_2.40G** (7.12kg/m)

**Standard Pack:** 50 Lengths



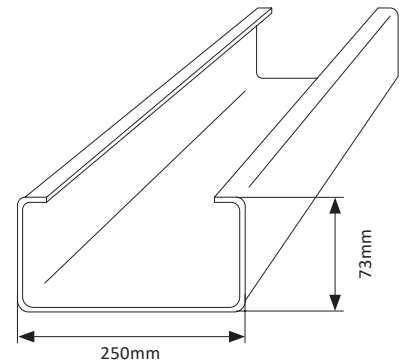
### C250 Purlin

PURLIN - EX\_C250 X 73 X 1.50 BMT: **EX\_C250\_73\_1.50G** (5.07kg/m)

PURLIN - EX\_C250 X 73 X 1.90 BMT: **EX\_C250\_73\_1.90G** (6.41kg/m)

PURLIN - EX\_C250 X 73 X 2.40 BMT: **EX\_C250\_73\_2.40G** (8.07kg/m)

**Standard Pack:** 40 Lengths



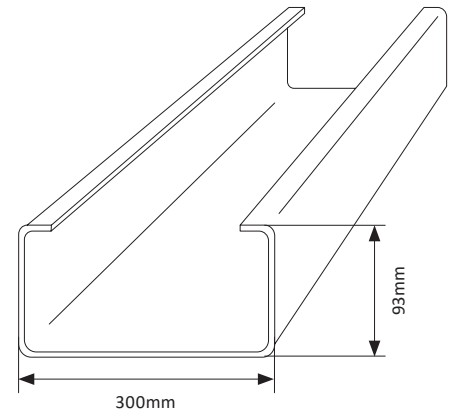
### C300 Purlin

PURLIN - EX\_C300 X 93 X 1.90 BMT: **EX\_C300\_93\_1.90G** (7.91kg/m)

PURLIN - EX\_C300 X 93 X 2.40 BMT: **EX\_C300\_93\_2.40G** (9.97kg/m)

PURLIN - EX\_C300 X 93 X 3.00 BMT: **EX\_C300\_93\_3.00G** (12.51kg/m)

**Standard Pack:** 20 Lengths



## Z – Section Extreme Purlin

### Z150 Purlin

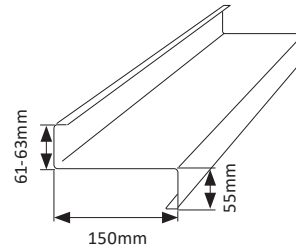
PURLIN - EX\_Z150 X 58 X 1.20 BMT: **EX\_Z150\_58\_1.20G** (2.83kg/m)

PURLIN - EX\_Z150 X 58 X 1.50 BMT: **EX\_Z150\_58\_1.50G** (3.52kg/m)

PURLIN - EX\_Z150 X 58 X 1.90 BMT: **EX\_Z150\_58\_1.90G** (4.45kg/m)

PURLIN - EX\_Z150 X 58 X 2.40 BMT: **EX\_Z150\_58\_2.40G** (5.60kg/m)

**Standard Pack:** 20 Lengths



### Z200 Purlin

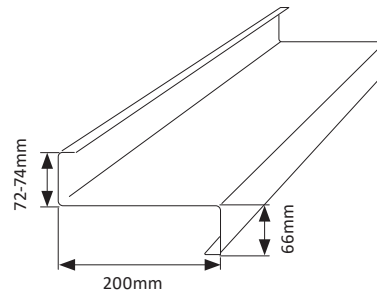
PURLIN - EX\_Z200 X 72 X 1.20 BMT: **EX\_Z200\_72\_1.20G** (3.59kg/m)

PURLIN - EX\_Z200 X 72 X 1.50 BMT: **EX\_Z200\_72\_1.50G** (4.47kg/m)

PURLIN - EX\_Z200 X 72 X 1.90 BMT: **EX\_Z200\_72\_1.90G** (5.65kg/m)

PURLIN - EX\_Z200 X 72 X 2.40 BMT: **EX\_Z200\_72\_2.40G** (7.12kg/m)

**Standard Pack:** 20 Lengths



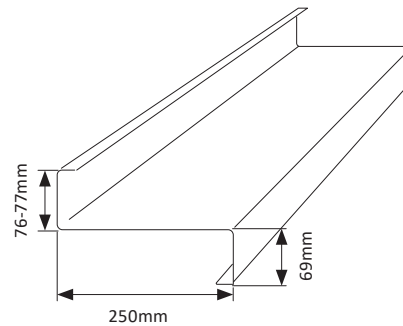
### Z250 Purlin

PURLIN - EX\_Z250 X 73 X 1.50 BMT: **EX\_Z250\_73\_1.50G** (5.07kg/m)

PURLIN - EX\_Z250 X 73 X 1.90 BMT: **EX\_Z250\_73\_1.90G** (6.41kg/m)

PURLIN - EX\_Z250 X 73 X 2.40 BMT: **EX\_Z250\_73\_2.40G** (8.07kg/m)

**Standard Pack:** 20 Lengths



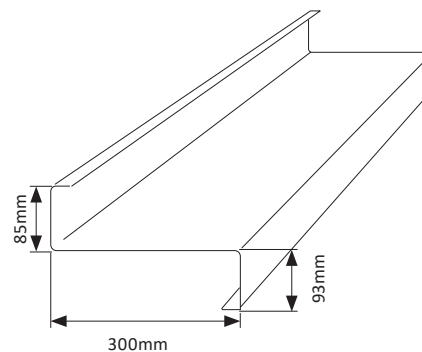
### Z300 Purlin

PURLIN - EX\_Z300 X 93 X 1.90 BMT: **EX\_Z300\_93\_1.90G** (7.91kg/m)

PURLIN - EX\_Z300 X 93 X 2.40 BMT: **EX\_Z300\_93\_2.40G** (9.97kg/m)

PURLIN - EX\_Z300 X 93 X 3.00 BMT: **EX\_Z300\_93\_3.00G** (12.51kg/m)

**Standard Pack:** 20 Lengths



Where strength matters





## Channels

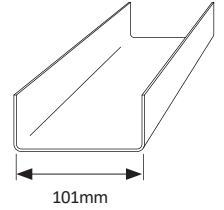
### 101 ID Channel

CHANNEL - 101 ID X 63 X 1.2 BMT GAL: **CH10112** (2.06kg/m)

CHANNEL - 101 ID X 63 X 1.5 BMT GAL: **CH10115** (2.57kg/m)

CHANNEL - 101 ID X 63 X 1.9 BMT GAL: **CH10119** (3.24kg/m)

**Standard Pack:** 50 Lengths



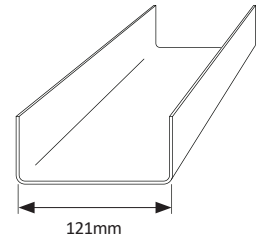
### 121 ID Channel

CHANNEL - 121 ID X 53 X 1.2 BMT GAL: **CH12112** (2.06kg/m)

CHANNEL - 121 ID X 53 X 1.5 BMT GAL: **CH12115** (2.57kg/m)

CHANNEL - 121 ID X 53 X 1.9 BMT GAL: **CH12119** (3.24kg/m)

**Standard Pack:** 50 Lengths



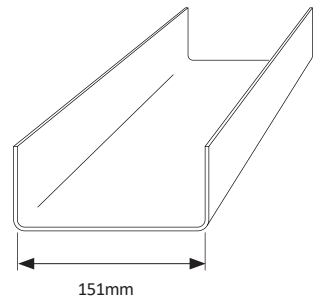
### 151 ID Channel

CHANNEL - 151 ID X 78 X 1.2 BMT GAL: **CH15112** (2.83kg/m)

CHANNEL - 151 ID X 78 X 1.5 BMT GAL: **CH15115** (3.52kg/m)

CHANNEL - 151 ID X 78 X 1.9 BMT GAL: **CH15119** (4.45kg/m)

**Standard Pack:** 50 Lengths



# Channels

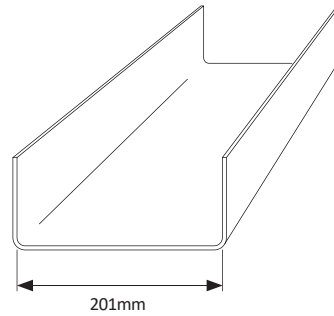
## 201 ID Channel

CHANNEL - 201 ID X 93 X 1.5 BMT GAL: **CH20115** (4.47kg/m)

CHANNEL - 201 ID X 93 X 1.9 BMT GAL: **CH20119** (5.65kg/m)

CHANNEL - 201 ID X 93 X 2.4 BMT GAL: **CH20124** (7.12kg/m)

**Standard Pack:** 50 Lengths

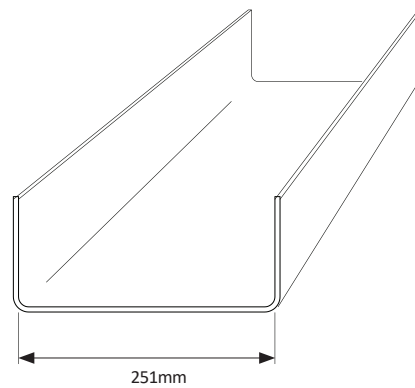


## 251 ID Channel

CHANNEL - 251 ID X 68 X 1.9 BMT GAL: **CH25119** (5.65kg/m)

CHANNEL - 251 ID X 68 X 2.4 BMT GAL: **CH25124** (7.12kg/m)

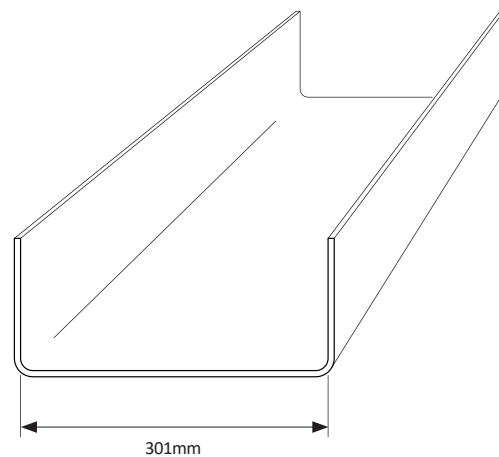
**Standard Pack:** 40 Lengths



## 301 ID Channel

CHANNEL - 301 ID X 68 X 2.4 BMT GAL: **CH30124** (8.07kg/m)

**Standard Pack:** 40 Lengths



Where strength matters





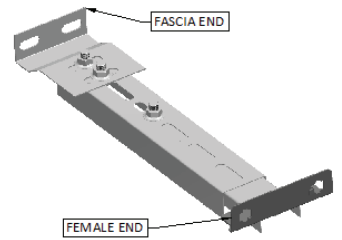
## Hook Fast Purlin Bridging

Millform *HookFast*® Bridging System

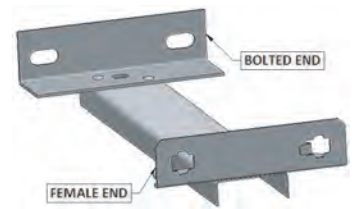
(available to suit C/Z100, 150, 200 & 250)



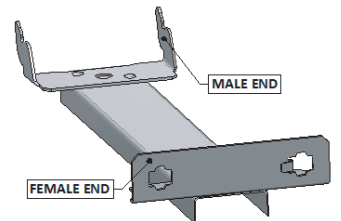
AdJ Starter – Adjustable Female / Facia Cheat



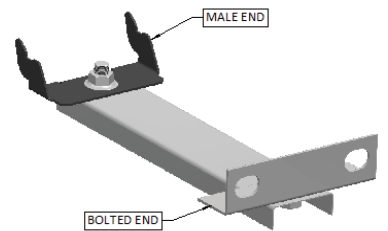
Starter – Bolted / Female



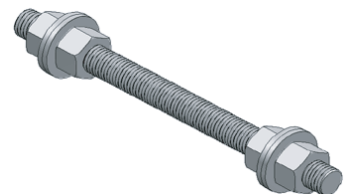
Intermediate – Male / Female



Finisher – Male / Bolted



12 mm Sag Rod Ridge Tie (add 100 mm to centres)



# Steel Framing



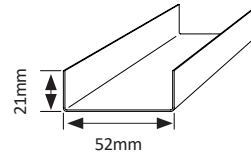
## 52mm Stud Range

PLATE - 54 X 20 X 1.15 BMT - ALUZINC: **PL54201.15Z** (0.90kg/m)

STUD - 52 X 21 X 1.15 BMT - ALUZINC: **S52211.15Z** (0.90kg/m)

NOGGIN - 50 X 22 X 1.15 BMT - ALUZINC: **N50221.15Z** (0.90kg/m)

**Standard Pack:** 100 Lengths



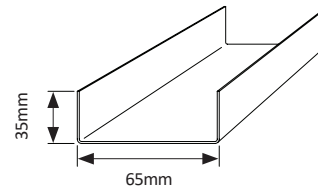
## 65mm Stud Range

PLATE - 68 X 33 X 1.15 BMT - ALUZINC: **PL68331.15Z** (1.21kg/m)

STUD - 65 X 35 X 1.15 BMT - ALUZINC: **S65351.15Z** (1.21kg/m)

NOGGIN - 62 X 37 X 1.15 BMT - ALUZINC: **N62371.15Z** (1.21kg/m)

**Standard Pack:** 100 Lengths



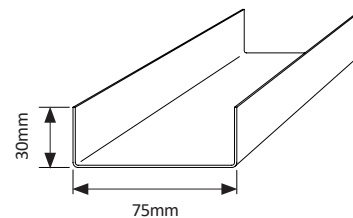
## 75mm Stud Range

PLATE - 78 X 28 X 1.15 BMT - ALUZINC: **PL78281.15Z** (1.21kg/m)

STUD - 75 X 30 X 1.15 BMT - ALUZINC: **S75301.15Z** (1.21kg/m)

NOGGIN - 72 X 32 X 1.15 BMT - ALUZINC: **N72321.15Z** (1.21kg/m)

**Standard Pack:** 100 Lengths



Where strength matters







## Steel Framing

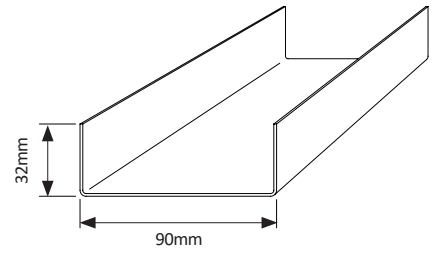
### 90mm Stud Range

PLATE - 93 X 30 X 1.15 BMT - ALUZINC: **PL93301.15Z** (1.38kg/m)

STUD - 90 X 31 X 1.15 BMT - ALUZINC: **S90311.15Z** (1.38kg/m)

NOGGIN - 87 X 32 X 1.15 BMT - ALUZINC: **N87321.15Z** (1.38kg/m)

**Standard Pack:** 100 Lengths



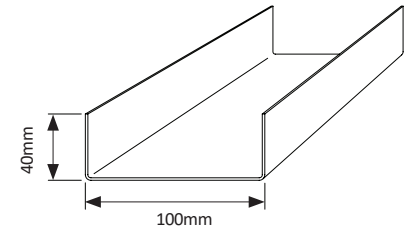
### 100mm Stud Range

PLATE - 103 X 38 X 1.15 BMT - ALUZINC: **PL103381.15Z** (1.63kg/m)

STUD - 100 X 40 X 1.15 BMT - ALUZINC: **S100401.15Z** (1.63kg/m)

NOGGIN - 97 X 42 X 1.15 BMT - ALUZINC: **N97421.15Z** (1.63kg/m)

**Standard Pack:** 100 Lengths



# Steel Framing

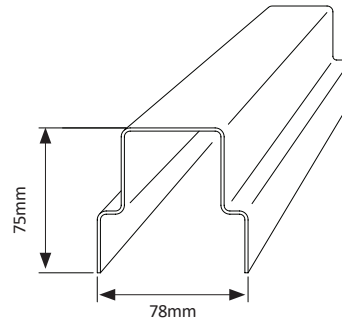


## 78 Stiffened Top Plate

STIFFENED TOP PLATE 78 MM X 1.15 BMT ALUZINC: **STP781.15Z** (1.91kg/m)

STIFFENED TOP PLATE 78 MM X 1.50 BMT ALUZINC: **STP781.50Z** (2.57kg/m)

**Standard Pack:** 50 Lengths x 7.500M

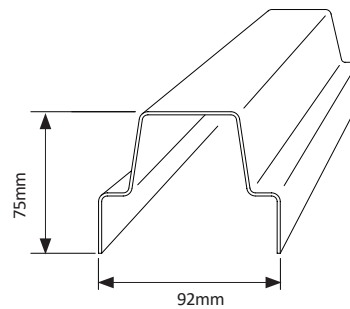


## 92 Stiffened Top Plate

STIFFENED TOP PLATE 92 MM X 1.15 BMT ALUZINC: **STP921.15Z** (2.14kg/m)

STIFFENED TOP PLATE 92 MM X 1.50 BMT ALUZINC: **STP921.50Z** (2.57kg/m)

**Standard Pack:** 50 Lengths x 7.500M

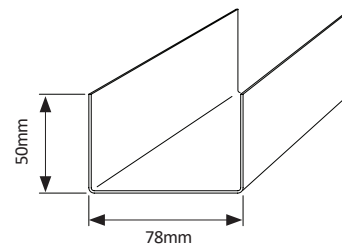


## 78 High Wall Plate

H.W.PLATE - 78 X 50 X 1.15 BMT - ALUZINC: **HWPL78501.15Z** (1.63kg/m)

H.W.PLATE - 78 X 50 X 1.50 BMT - GAL: **HWPL78501.50G** (2.15kg/m)

**Standard Pack:** 50 Lengths

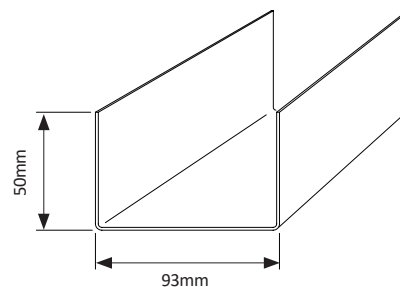


## 93 High Wall Plate

H.W.PLATE - 93 X 50 X 1.15 BMT - ALUZINC: **HWPL93501.15Z** (1.63kg/m)

H.W.PLATE - 93 X 50 X 1.50 BMT - Gal: **HWPL93501.50G** (2.17kg/m)

**Standard Pack:** 50 Lengths x 7.500M



Where strength matters





## Cyclonic Steel Framing

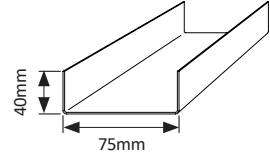
### 75mm Cyclonic Stud Range

PLATE - 78 X 38 X 1.50 BMT - ALUZINC: **PL78381.50Z** (1.81kg/m)

STUD - 75 X 40 X 1.50 BMT - ALUZINC: **S75401.50Z** (1.81kg/m)

NOGGIN - 72 X 42 X 1.50 BMT - ALUZINC: **N72421.50Z** (1.81kg/m)

**Standard Pack:** 100 Lengths



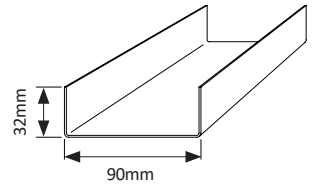
### 90mm Cyclonic Stud Range

PLATE - 93 X 30 X 1.50 BMT - ALUZINC: **PL93301.50Z** (1.81kg/m)

STUD - 90 X 31 X 1.50 BMT - ALUZINC: **S90311.50Z** (1.81kg/m)

NOGGIN - 87 X 32 X 1.50 BMT - ALUZINC: **N87321.50Z** (1.82kg/m)

**Standard Pack:** 100 Lengths



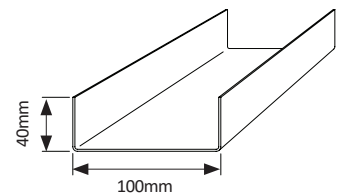
### 100mm Cyclonic Stud Range

PLATE - 103 X 38 X 1.50 BMT - ALUZINC: **PL103381.50Z** (2.15kg/m)

STUD - 100 X 40 X 1.50 BMT - ALUZINC: **S100401.50Z** (2.15kg/m)

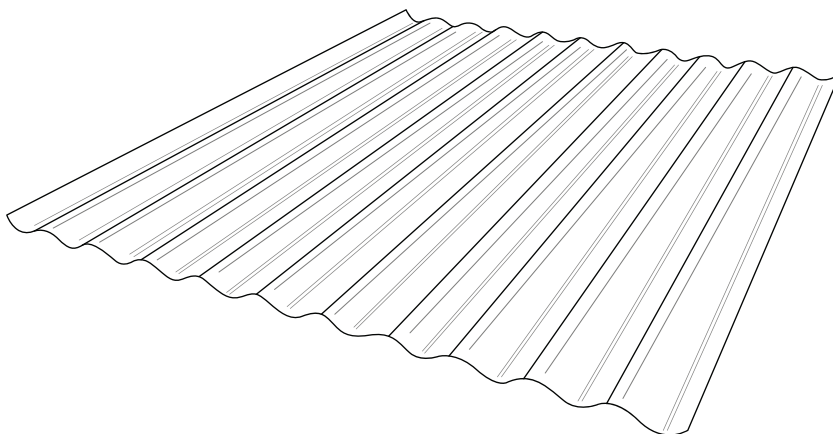
NOGGIN - 97 X 42 X 1.50 BMT - ALUZINC: **N97421.50Z** (2.15kg/m)

**Standard Pack:** 100 Lengths



## CorroForm - Corrugated Sheet Metal

| MATERIAL PROPERTIES             | FINISH         | 0.35 BMT | 0.42 BMT | 0.48 BMT |
|---------------------------------|----------------|----------|----------|----------|
| Total Coated Thickness (TCT) mm | Zinc           | 0.40     | 0.47     | 0.53     |
|                                 | Colour         | 0.43     | 0.50     | 0.56     |
| Mass (kg/linear metre)          | Zinc           | 2.74     | 3.26     | 3.70     |
|                                 | Colour         | 2.79     | 3.32     | 3.76     |
| Mass (kg/square metre)          | Zinc           | 3.60     | 4.28     | 4.86     |
|                                 | Colour         | 3.67     | 4.35     | 4.93     |
| Yield (square metre/tonne)      | Zinc           | 277.9    | 233.8    | 205.9    |
|                                 | Colour         | 272.3    | 229.8    | 202.8    |
| Tensile Strength (MPa)          | Zinc & Colour  | 550      | 550      | 550      |
| Width Coverage (mm)             | Zinc & Colour  | 762      | 762      | 762      |
| Sheet Tolerances (mm)           | Width & Length | ±5 ±2    | ±5 ±2    | ±5 ±2    |
| Minimum Roof Pitch              | Zinc & Colour  | N/A      | 5°       | 5°       |

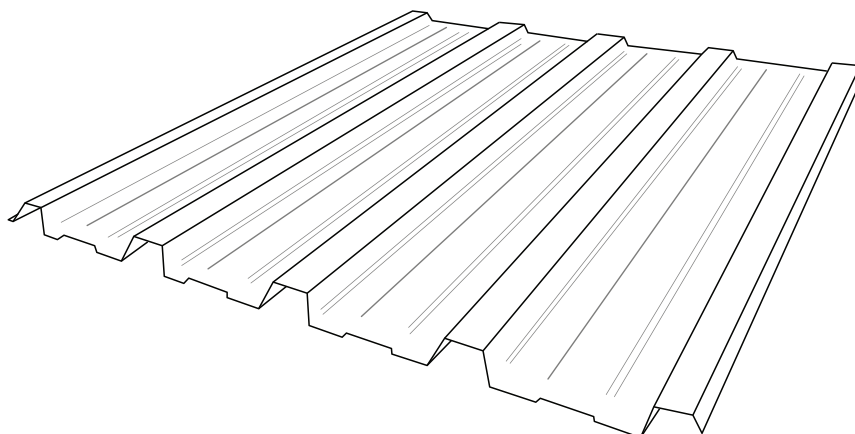


Where strength matters



## RibForm - Corrugated Sheet Metal

| MATERIAL PROPERTIES             | FINISH         | 0.35 BMT | 0.42 BMT | 0.48 BMT |
|---------------------------------|----------------|----------|----------|----------|
| Total Coated Thickness (TCT) mm | Zinc           | 0.40     | 0.47     | 0.53     |
|                                 | Colour         | 0.43     | 0.50     | 0.56     |
| Mass (kg/linear metre)          | Zinc           | 2.74     | 3.26     | 3.70     |
|                                 | Colour         | 2.79     | 3.32     | 3.76     |
| Mass (kg/square metre)          | Zinc           | 3.60     | 4.28     | 4.86     |
|                                 | Colour         | 3.67     | 4.35     | 4.93     |
| Yield (square metre/tonne)      | Zinc           | 277.9    | 233.8    | 205.9    |
|                                 | Colour         | 272.3    | 229.8    | 202.8    |
| Tensile Strength (MPa)          | Zinc & Colour  | 550      | 550      | 550      |
| Width Coverage (mm)             | Zinc & Colour  | 762      | 762      | 762      |
| Sheet Tolerances (mm)           | Width & Length | ±5 ±2    | ±5 ±2    | ±5 ±2    |
| Minimum Roof Pitch              | Zinc & Colour  | N/A      | 2°       | 2°       |



Where strength matters

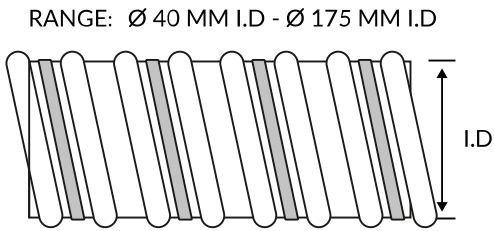


# Slab and Spiral Duct

## DUCTING FOR THE POST TENSION CONCRETE INDUSTRY

Quality Galvanised Steel Prevents Ducting Corrosion

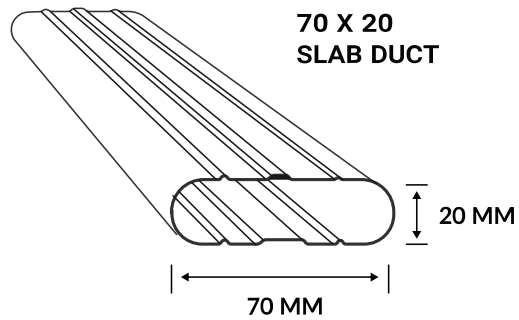
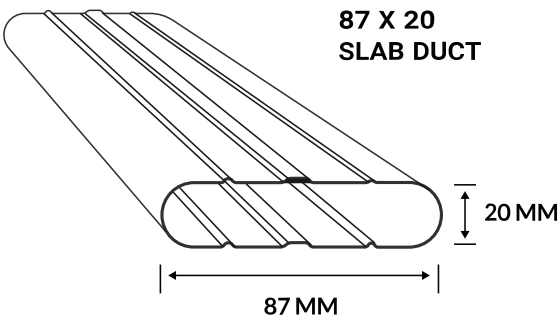
### SPIRAL DUCT



**SPIRAL DUCT**  
0.30 BMT



### SLAB DUCT



Where strength matters



FIND OUT MORE ABOUT OUR RANGE OF  
STEEL BUILDING PRODUCTS



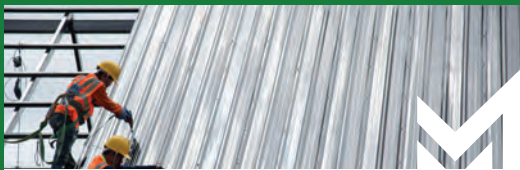
**TOPHAT & BATTENS**



**PURLIN & CHANNEL**



**HOOKFAST PURLIN BRIDGING SYSTEM**



**ROOFING & WALLING**



**ROOFING ACCESSORIES**



**JUNCTION STUD & FACADE SYSTEM**



**SLAB & SPIRAL DUCT**

## MILLFORM OFFICE & MANUFACTURING FACILITY

### Sydney

22 Shale Place, Eastern Creek, NSW, 2766  
Ph. (02) 9832 6900

### Albury

101 Ceres Drive, Albury, NSW 2640  
Ph. (02) 6025 4377

## REGIONAL SALES TEAMS

QLD, NSW, ACT, VIC, TAS, WA, NT

**FOR SALES AND INFORMATION ENQUIRIES, CONTACT OUR  
KNOWLEDGEABLE TEAM**

Call: **1300 645 376** or email: [enquiries@millform.com.au](mailto:enquiries@millform.com.au)

[www.millform.com.au](http://www.millform.com.au)

Version 2.1

All reasonable care has been taken to present accurate information at the time of publication. All recommendations related to the use of Millform products are made without a guarantee. Many factors are beyond our control, and all information presented is meant as a guide only. It is the customer's responsibility to ensure that all products are suitable for their intended purpose. Millform reserves the right to change product specifications and recommendations at any time without prior notice. The Millform logo is registered and protected under Australian law.

